

# ELLIPSOIDAL LIGHTING

## Catalog Numbers

360Q	-	4.5x6.5
360Q	-	6x9
360Q	-	6x12
360Q	-	6x16
360Q	-	6x22

### Fixture Type:

The venerable 360Q is a compact, rugged ellipsoidal spotlight which produces a high intensity sharp or soft-edged beam. This lightweight luminaire is outfitted with an efficient, specially faceted reflector specifically designed for the new generation of 575 watt tungsten halogen lamps. The reflector has over 700 mirror polished surfaces which optimize the optical system for greater light output and a sharper, more controlled focus. Four adjustable integral stainless steel framing shutters provide beam shaping ability and the pattern slot and holder provide the ability to project visual images. While primarily designed for theatre and studio applications, the 360Q Series is also useful in displays, show windows, churches, museums and nightclubs where precision controlled accenting is desirable.

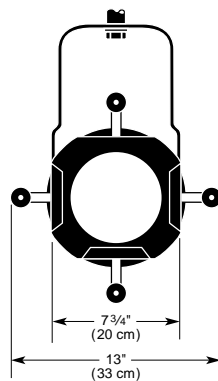
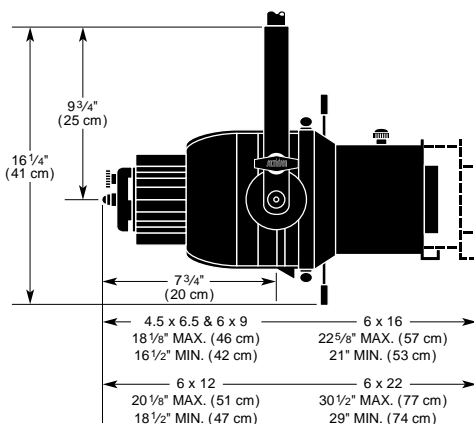
Specifications subject to change without notice



360Q - 6 x 12  
(pictured)



Speed Cap



## 750 WATT

## 360Q 6" ELLIPSOIDAL Axially Mounted Quartz

### Features

- Aluminum die-cast and sheet metal construction
- Specular, mirror polished multifaceted aluminum reflector
- Heat resisting plano convex lenses
- Axially mounted medium two-pin socket
- Pipe clamp, color frame and safety cable included
- Three 36" Teflon lead wires
- Up to 25' of Hi-Temp rubber cable optional
- U.L. and c.U.L. listed for 750 watts
- Made in the USA

# 750 WATT 6" ELLIPSOIDAL

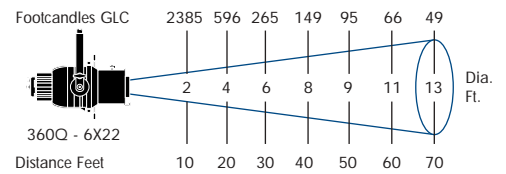
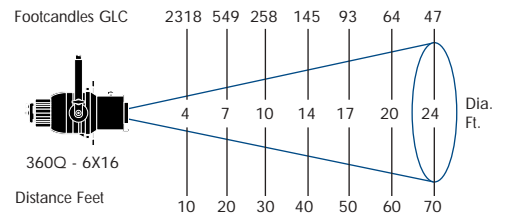
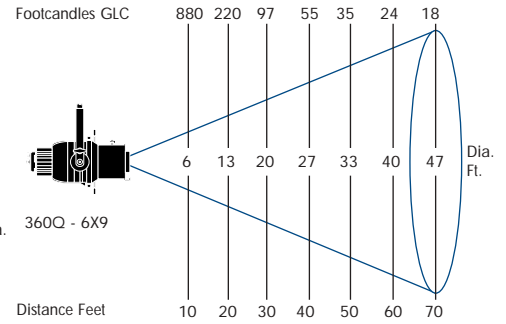
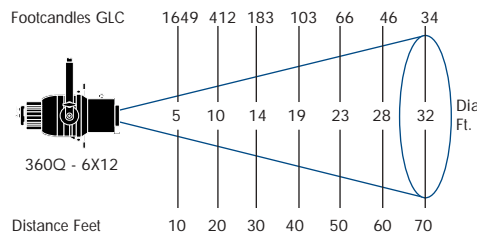
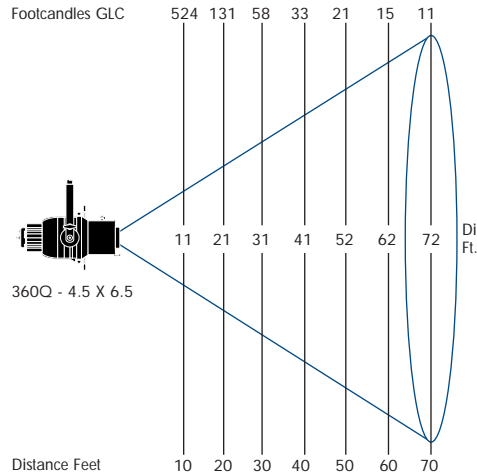
Catalog Numbers

- 360Q - 4.5x6.5
- 360Q - 6x9
- 360Q - 6x12
- 360Q - 6x16
- 360Q - 6x22

ADDITIONAL ACCESSORIES	
6-CFB	Black Color Frame, 7 1/2" x 7 1/2"
360-PH	Pattern Holder 2 7/16" diameter opening, 3 3/8" wide
6-SN	Shoot
71-1015	Tool free focus Speed Cap
97-0125	Super reflector for 360Q prior to 1999
195A-6	Color Wheel
404-6	Motorized Color Wheel
6-DN	Donut, 7 1/2" x 7 1/2" with 3" diameter opening
510-BLK	Malleable iron pipe clamp, black

ACCESSORIES Supplied with Luminaire	
510	Malleable Iron Pipe Clamp
6-CF	Color Frame, 7 1/2" x 7 1/2"
SC	Safety Cable with Spring Clip

An Iris can be factory installed in any unit. The ordering code for this feature is to insert - "ii" after 360Q (example 360Q ii - 6 x 12). An easy focusing speed cap can also be supplied with any fixture in place of the lamp and socket assembly described above. The ordering code for this feature is to insert - "X" after 360Q (example 360Q X - 6 x 12).



## Specifications

**Housing:** Die-cast aluminum and sheet steel construction.

**Materials:** Construction employs all corrosion-resistant materials and hardware.

**Yoke:** Rigid flat steel with dual locking dog handles.

**Reflector:** Alzak aluminum, elliptical design.

**Lenses:** Pyrex glass.

**Socket:** Altman G9.5 medium two-pin, axially mounted, with blinder/heat shield, tool free relamping.

**Rating:** 120/240 volts AC/DC operation, 6.3/3.1 amps, 750 watts maximum.

**Cable:** 36" Teflon leads encased in black fiberglass sleeving. Hi-temp rubber cable optional, up to 25'.

**Shutters:** Four provided, stainless steel, fully adjustable. Handles provided with heat resistant knobs.

**Access Door:** Hinged, removable without tools, allowing access to lens and reflector.

**Focusing, Lamp:** Fully adjustable.

**Focusing, Fixture:** Lens movement adjustable with locking thumb screw.

**Accessories:** Factory installed iris available. Accepts drop-in pattern holder and standard 7 1/2" accessories.

**Finish:** Black epoxy sandtex, electrostatically applied.

**Weight:** Approx; 13 1/2 lbs. (6.1 kg.) for 360Q 4.5 x 6.5.  
 Approx; 14 lbs. (6.15 kg.) for 360Q 6 x 9.  
 Approx; 15 lbs. (6.75 kg.) for 360Q 6 x 12, 6 x 16, & 6 x 22.

## 360Q SERIES PERFORMANCE CHART WITH GLC LAMP

Fixture Type	Candlepower (Candela)	Beam Angle (Degrees)	Field Angle (Degrees)	Efficiency (%)
360Q-4.5x6.5	52,425	22.0°	55°	63
360Q-6x9	88,000	16.0°	37°	63
360Q-6x12	164,925	11.0°	26°	61
360Q-6x16	231,750	8.5°	19°	56
360Q-6x22	238,500	8.0°	11°	35

## LAMP DATA

Watts	Volts	ANSI Code	Manufacturer Lamp Code	Color Temp (°K)	Rated Life (Hours)	Rated Lumens	Correction Factor
375	115	—	HX400	3200°	300	10,000	.69
375	115	—	HX401	3050°	1500	8,500	.59
575	115	—	HX604	3250°	400	15,500	1.14
575	115	—	HX605	3100°	1500	13,500	—
600	230	GKV	HX600/HV230	3200°	400	14,500	1.03
575	115	GLC	HP600/6989P	3200°	400	15,500	—
575	115	GLA	HP600/6992P	3100°	1500	13,500	—
750	115	—	HX754	3200°	300	21,500	—
750	115	—	HX755	3050°	1500	18,250	—